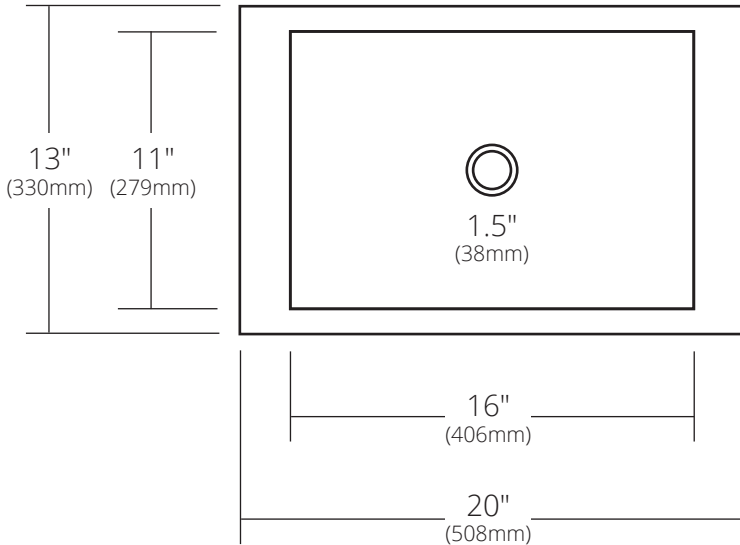


SPECIFICATIONS

HANA



TOP VIEW



CPS242 Antique
CPS542 Brushed Nickel

PRODUCT DETAILS

- 20" x 13" x 5" OD (508mm x 330mm x 127mm)
- 16" x 11" x 4.5" ID (406mm x 279mm x 114mm)
- Hand hammered 17 gauge recycled copper
- 1.5" (38mm) drain opening

INSTALLATION

- Drop-In

COORDINATING PRODUCTS

- Drains: DR120, DR130 or DR150

STANDARDS COMPLIANCE

- UPC/cUPC compliant



IMPORTANT

Due to the handcrafted nature of this product, it will vary in finish, texture, hammering, and other details. Dimensions may vary up to ¼" (6mm). We strongly recommend waiting for the actual product before making any installation cuts.

SIDE VIEW

